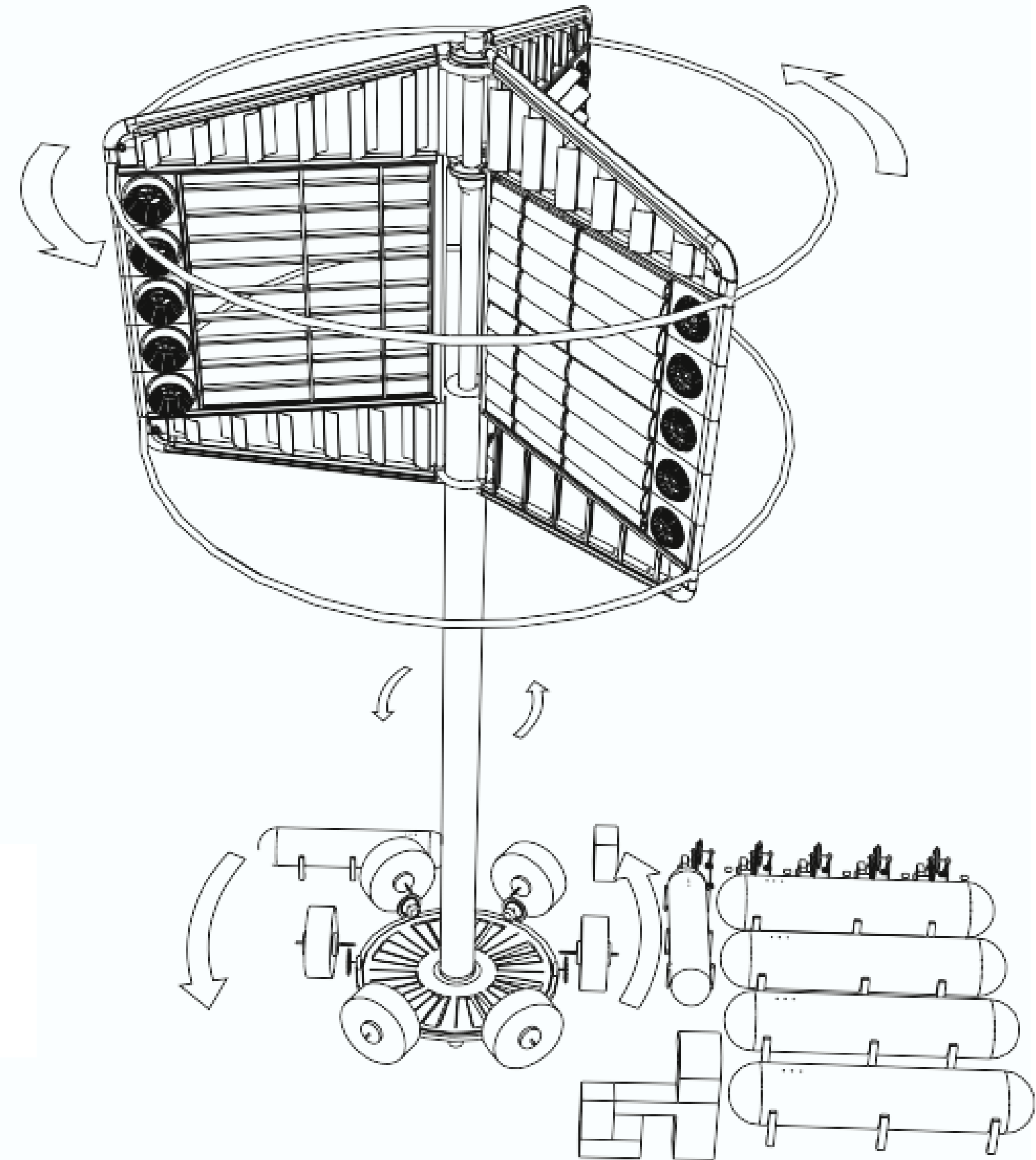


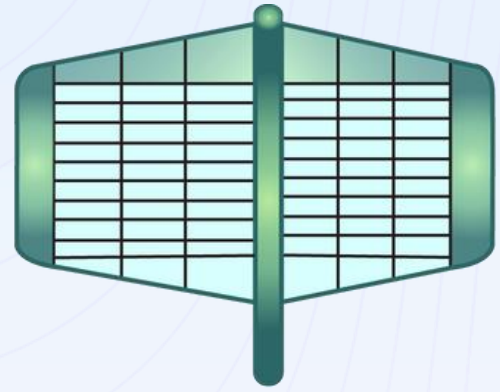
**WaterSource  
PowerStation™**  
*The World's Only 24/7 Water-Producing  
Power Station*

**Wind-Water PowerStation™**  
- Compressed Air Energy Storage  
- 24/7/365 - Electricity Generation



© Copyright - On-Site-Energy.com - All rights reserved.



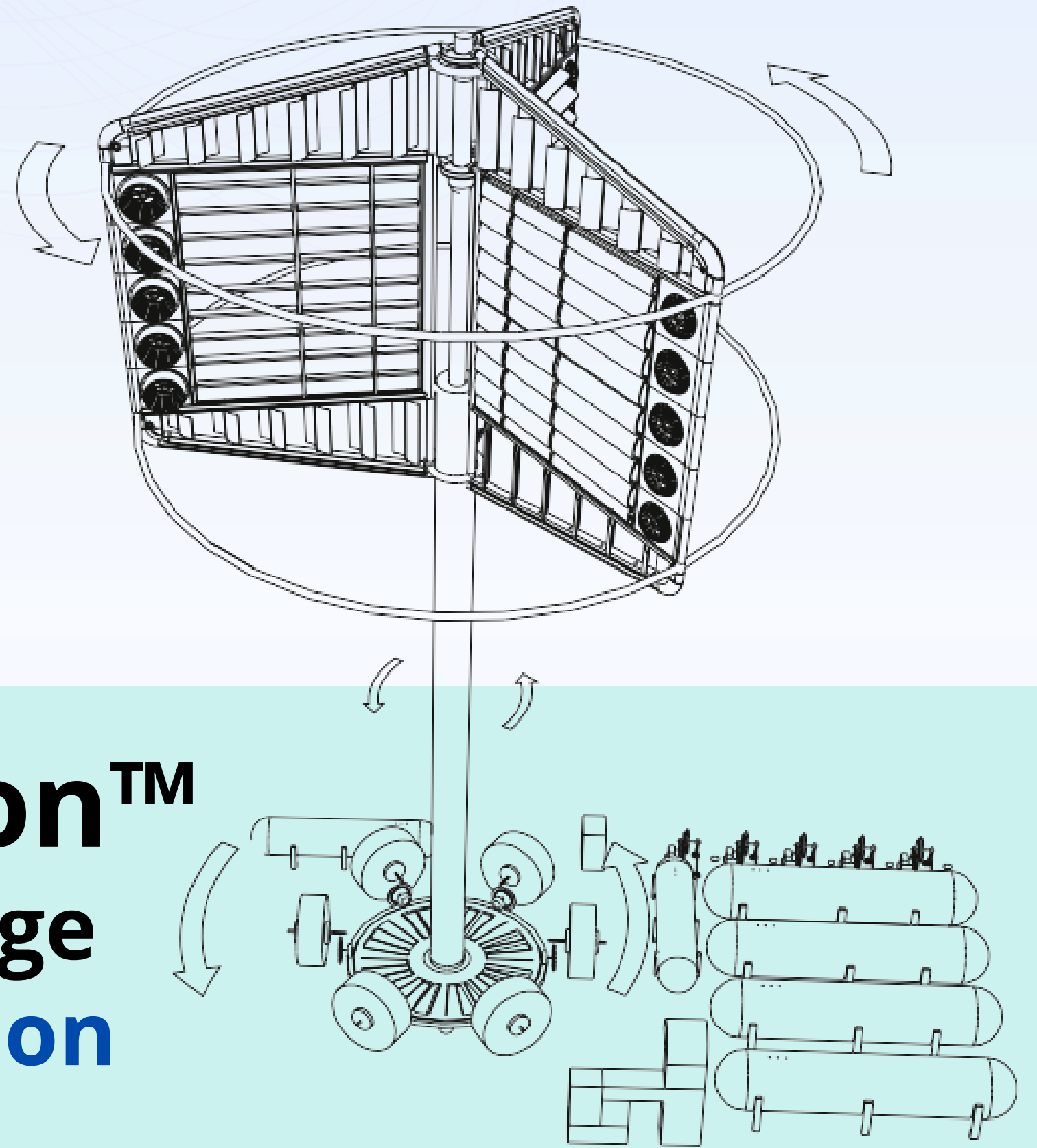


# **WaterSource PowerStation™**

*The World's Only 24/7 Water-Producing  
Power Station*

# **Wind-Water PowerStation™**

- **Compressed Air Energy Storage**
- **24/7/365 - Electricity Generation**



© Copyright - On-Site-Energy.com - All rights reserved.



For years, everyone thought that  
**Green Energy meant *Solar or Wind*.....**



But, those two types of Green Energy were  
**Intermittent....**

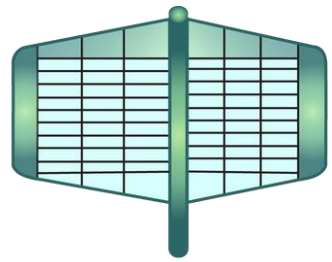
Meaning they only worked when the  
**Sun Shines or the Wind Blows.**



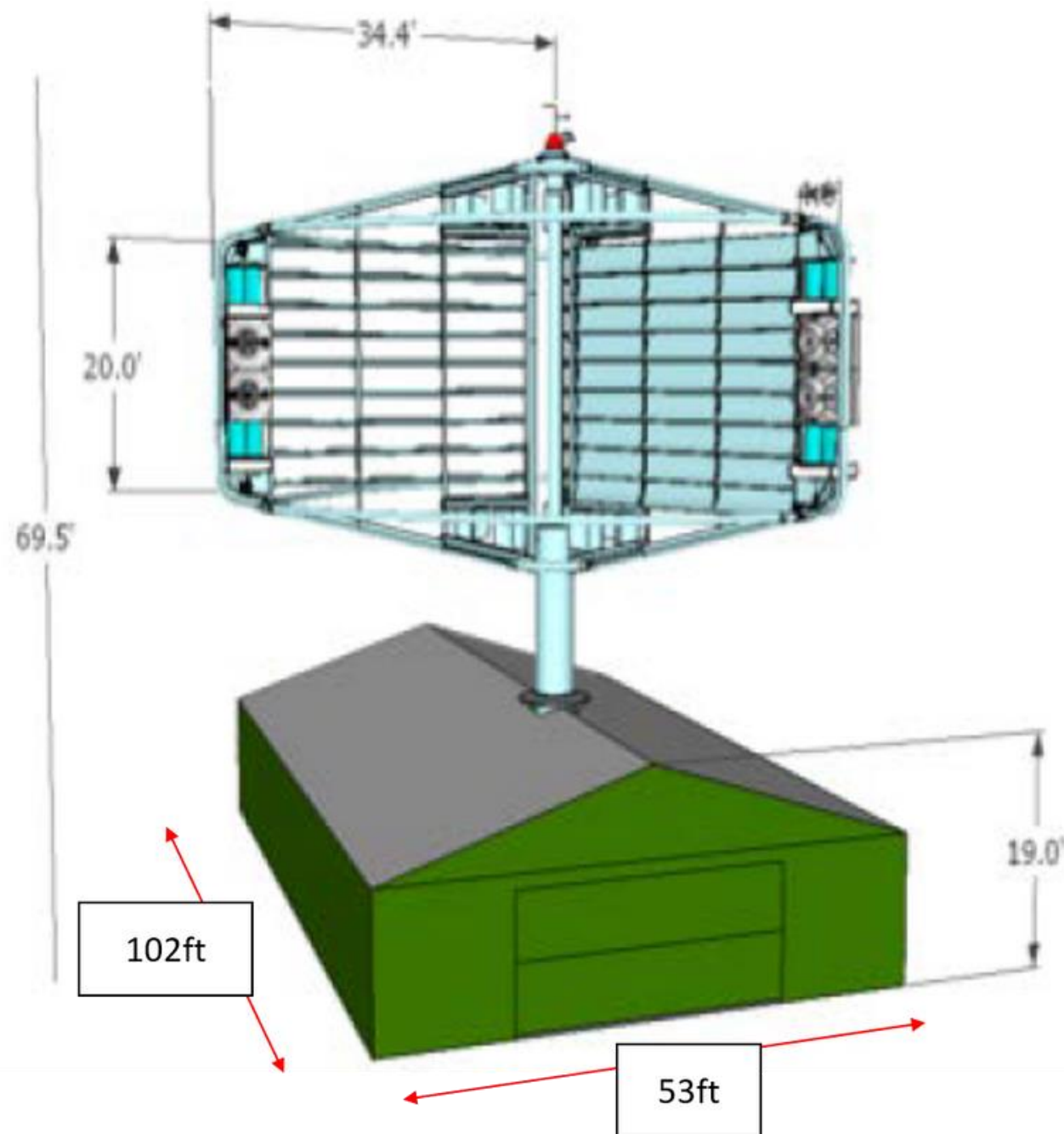
Then, along came a Scientist who figured out  
**How to Use Compressed Air to Capture, Store and  
Produce Green Electricity.**



The system actually uses a "**bank of tanks**" to store enough Compressed Air Energy to run the Power Station for **14 consecutive days without a Puff of Wind!**



**WaterSource  
PowerStation**™  
*The World's Only 24/7 Water-Producing  
Power Station*



# From an Energy User's Perspective.... **The PowerStation is the ULTIMATE Green Energy Technology**

- The only Green Renewable Power Source that produces 24/7/365 Consistent Power – controlled like a thermostat
- Operates continuously without being dependent on wind
- 5 MW System is 90 ft tall, Sits on ¼ acre of land
- Produces 100,000\* gallons of Water Each Day
- Power Source PLUS **"FREE WATER"\***



The Conclusion?  
Compressed Air proved to be the most  
**Efficient and Dependable Green Energy Source**  
ever offered Commercially.

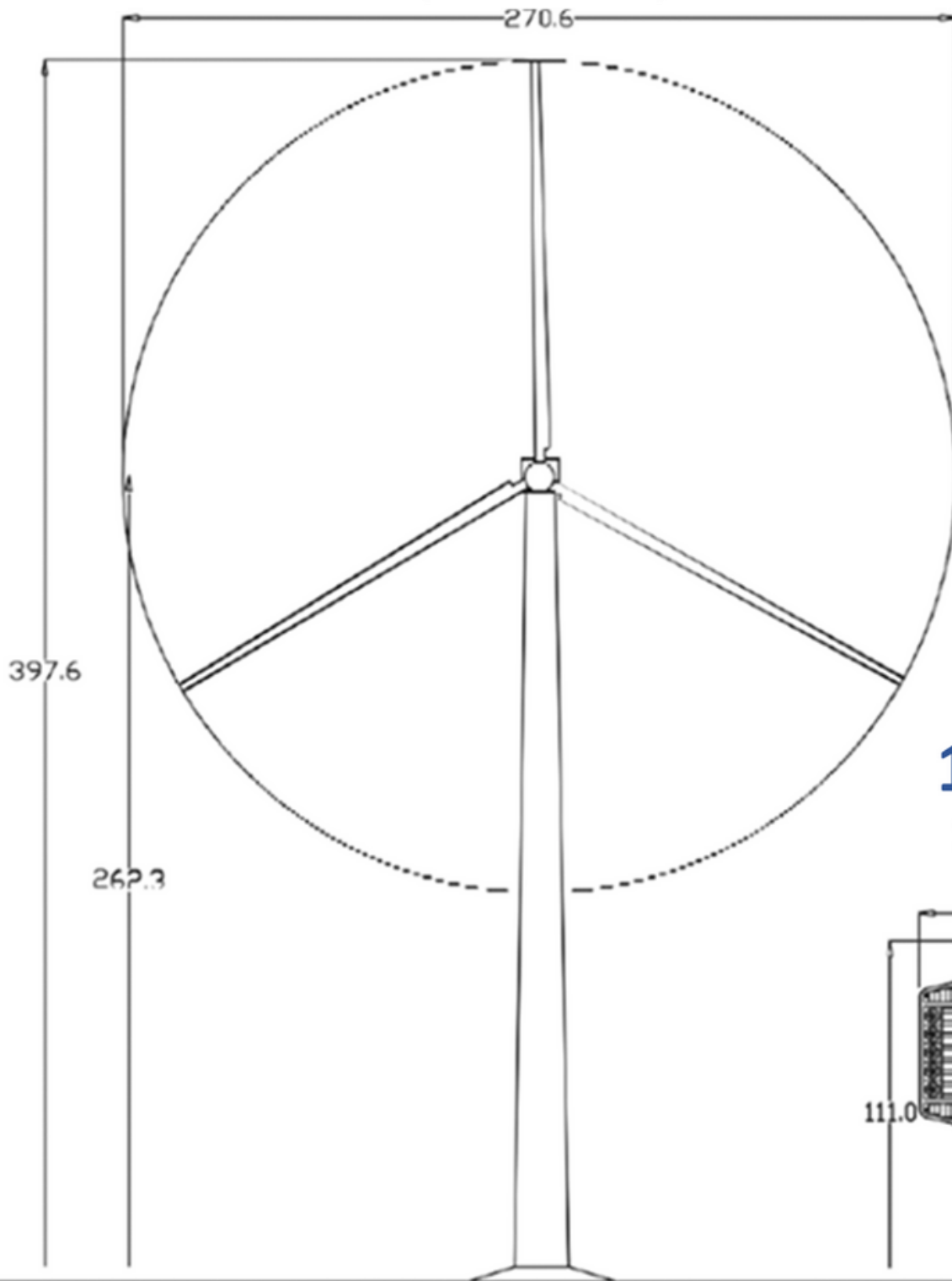




Compared to existing  
Green Energy sources such as Wind and Solar,  
**the PowerStation dwarfs their production of Power.**

**1.5 MW**

**397 ft Tall**



Wind Turbine  
GE 1.5xle  
1.5 MW

For example:

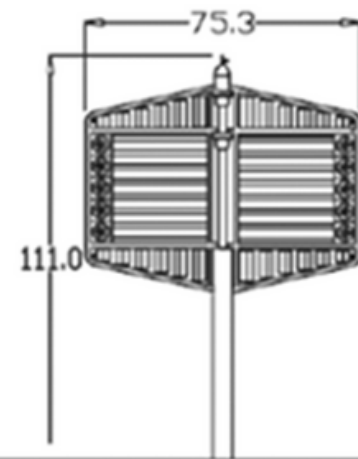
**A 400-ft Wind Turbine might produce 1.5 MW of Electricity.**  
And remember..*it's Intermittent!*

However:

**A 110 Foot PowerStation will produce 10 MW of Electricity...**  
That's approximately 6 times more Power than the Wind Turbine.

**10 MW**

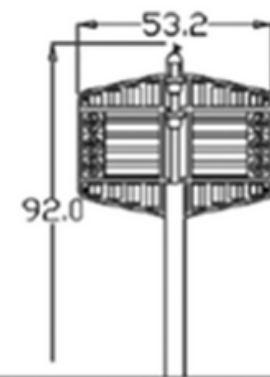
**110 ft Tall**



AWE Device  
Model 37.64  
10 MW

**5 MW**

**92 ft Tall**



AWE Device  
Model 25  
5 MW

**And, instead of being Intermittent,  
it is 24-Hours a Day!**

**That's called  
Baseload Power.**

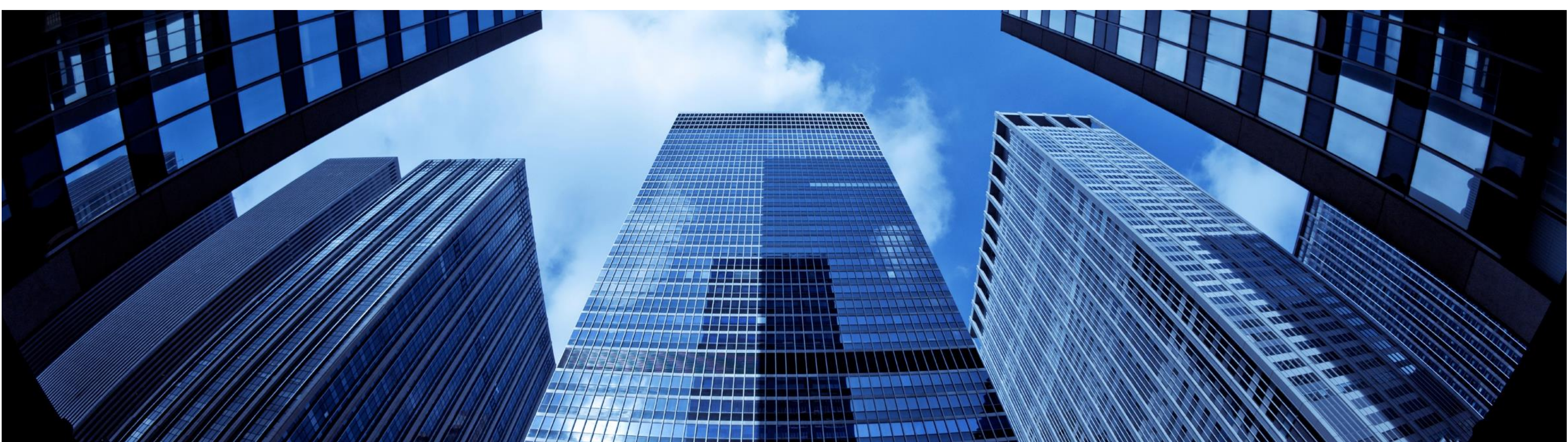


The On-Site PowerStation is the only true  
**Scalable Green Energy power-generation.**

You can start with **5 MW**, and ADD an Unlimited Number of Additional Units.



# The PowerStation that WORKS by Using Compressed Air is the Solution for **Independent Green Energy Production**



For information on how you can have one or more  
Power Stations placed on your property for your  
**Commercial use, with virtually no capital expenditure....**

**Contact us Today!**



Simply tell us  
**How much power you use now,**  
*And what the commercial power rate is now that you are paying.*

# The Time to ACT is Now!

[www.myenergyrx.com/PowerStation](http://www.myenergyrx.com/PowerStation)

